

# EASINESS OF PROFILES PROCCESSING AND DIFFERENT VARIANTS OF CONSTRUCTIONS

Corner joints' assembling is possible to realize with the help of pin-type attachments or using crimping machine. There are different variants of the door bottom part execution.

Two variants of the threshold: "warm" threshold made of thermo insulated profile and "cold" made of profile without a thermal break are provided in this system. Additionally it is possible to install the doors into a window construction.



There is no need in a complex milling of a basement (socle) bar:

- The basement (socle) bar is cut to the size;
- The ends are covered with end plugs;
- Excellent insulation is provided.



A double sash door can be made using a stulp (a french door type) and without using it.



Threshold installation is carried out with the help of plastic elements. There is no need in additional machining of a threshold.



Symmetrical pivoting joint from 85° up to 240° with the possibility to install the insertions (square pipe from 110 system) is available.



**UNITED ELITE GLASS**

Frame Glazing System With Thermal Break W62





## FRAME GLAZING SYSTEM WITH THERMAL BREAK W62

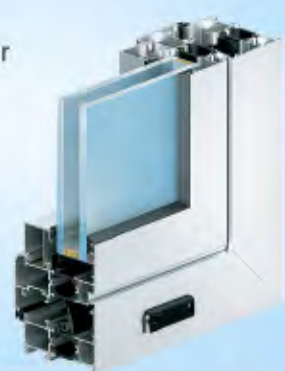
The ALT W62 system is a series of thermo insulated profiles designed for creation of constructions with the increased thermo technical and sound proof requirements:

- door and window constructions;
- constructions for entrance groups, portals, translucent constructions, glass cases;
- continuous glazing.

### Profiles and component parts of W62 system allows manufacturing of:

#### Window Constructions

- fixed
- single sash
- double sash
- double sash with transom bar
- Integrated in facade



#### Door Constructions

- single sash;
- doublesash with and without a stulp;
- loop;
- socle (baseament);
- outside/inside opening;
- with an automated threshold, facade integrated.



Combined constructions with a great number of doors and windows.

Combined profiles consisting of aluminum profiles connected between each other by the profiles made of glass-nylon composite form the basis of the system.

## ADVANTAGES OF THE SYSTEM

### VERSATILITY

Unification of constructions of certain profiles and component parts with the frame glazing system without thermal break C48 and office partition system 110 (more than 30 items) provides optimization of stock reserves.

### MULTIPLE VARIANTS OF DESIGN SOLUTIONS

The system's profiles have been designed in a straight functional style. Versatility and attractiveness of the system is attained due to possibility to choose different variants of assembly solutions. Profiles with narrow visible part allow manufacturing of constructions with maximum glazing area.

### HIGH LEVEL OF AIR AND WATER FRAME AND SASH RESISTANCE

Double sealing between the post and transom profiles provides optimal air and moisture resistance showings. There is a possibility to install the third sealing line into the system.

### INSTALLATION OF HARDWARE FROM VARIOUS MANUFACTURERS

There is a "euro groove" in the window series of ALT W62 system that allows utilization of widely popular hardware.

### OPTIMAL THERMAL INSULATION

Thermo technical characteristics of assembly solutions from W62 system correspond depending on different combinations of to material groups 2.1 and 2.2 according to DIN 4108-4

### DIFFERENT TYPES OF FILLING

It is possible to install the fillings up to 1 37/64" wide: glazed units, sandwich panels etc.

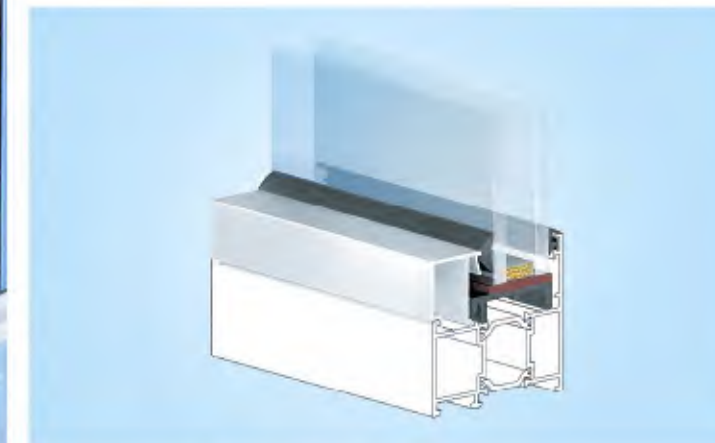
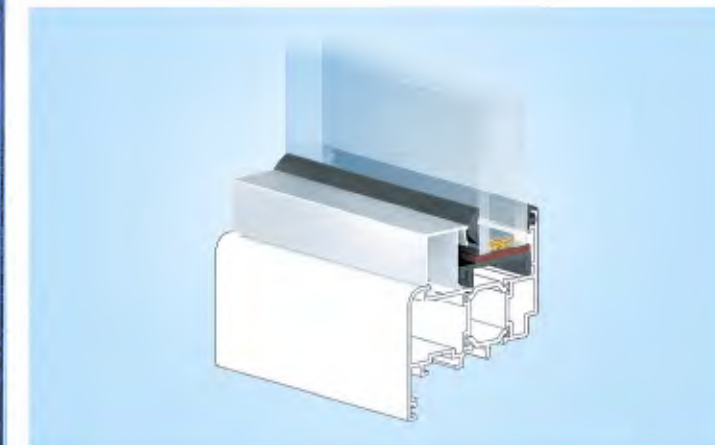
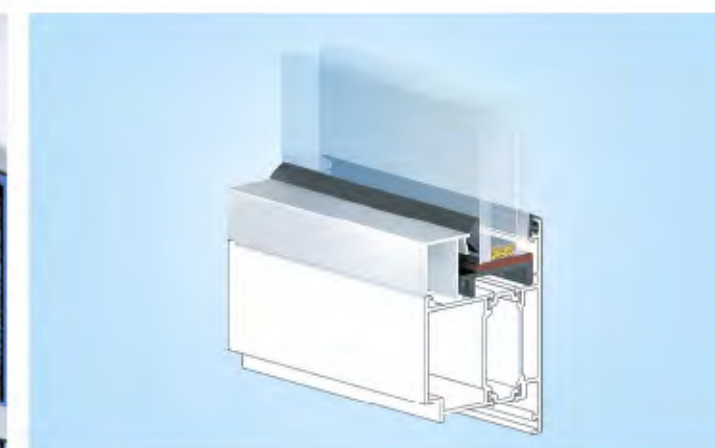
### WIDE RANGE OF COLORS

Availability of polyamide separator allows painting of internal and external parts of the profiles in different colors that widens possibilities of internal and external decoration of buildings.

## STOCK RESERVES OPTIMIZATION

The same size of the chamber along the height of window frame profiles and the sash results in decrease of insertion profiles assortment.

Utilization of one type of a transom bar and universal profile for attachment of internal and external parts of the transom bar in all constructions provide optimal static characteristics of the products and stability of assembly solutions of the system.



One universal set including two seals, glass stop profile and bearing plate, is used during installation of the same thickness filling for door and window frame profiles.

## TIME SAVING MACHINING AND ASSEMBLING

Maintainability of the door thresholds is provided by plastic elements in the place of threshold profile adjoining to the door case therefore repair can be carried out without dismantling of the whole construction.

Crimp line of the frame profiles and the sash is situated in one and the same plane that allows crimping of the profiles at once. There is no need in readjustment of the crimping machine.



Machining and fixation methods of transom bar profile are the same for all profiles. Simple realization of an expansion joint in continuous glazing is possible due to installation of a thermal compensation profile.

